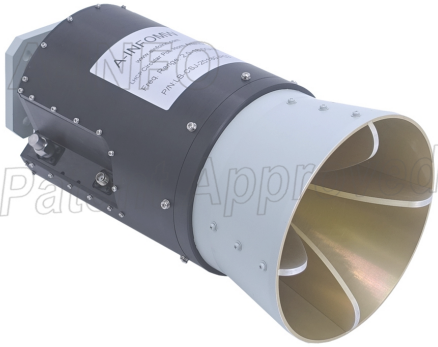


For reference only. See data sheet for the detailed specifications.

Technical Specification



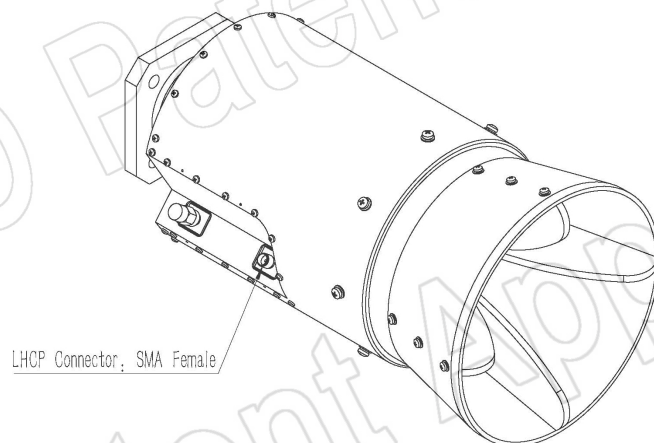
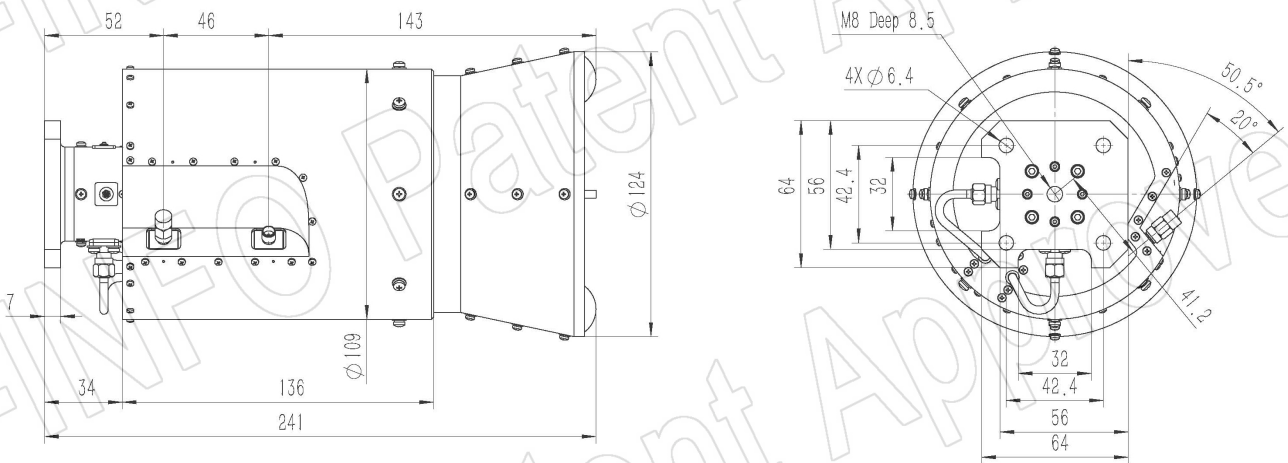
Frequency Range(GHz)	2.0 – 18.0
Gain(dBic)	14 Typ.
Polarization	LHCP
Axial Ratio(dB)	2.0 Typ. ; 3.0 Max.
3dB Beamwidth(deg)	E Plane: 86 - 11
	H Plane: 91 - 11
VSWR	1.50:1 Max.
Connector	SMA-Female
Power Handling(W CW)	20 Max.
Material	Al
Finish	Chemical Conversion Coating and Anodizing, Gray Paint
Size(mm)	124 x 124 x 241
Net Weight(Kg)	1.36 Around

PATENT ID (China)

ZL201822143668.8, ZL202223571277.9, ZL202230874716.X

Outline Drawing (Size: mm)

SMA-Female Output (P/N: LB-CSJ-20180-P01)



AINFO Inc.

China(Beijing):
China(Chengdu):
USA :

Tel: (+86) 10-6266-7326,
Tel: (+86) 28-8519-2786,
Tel: (+1) 949-639-9688,

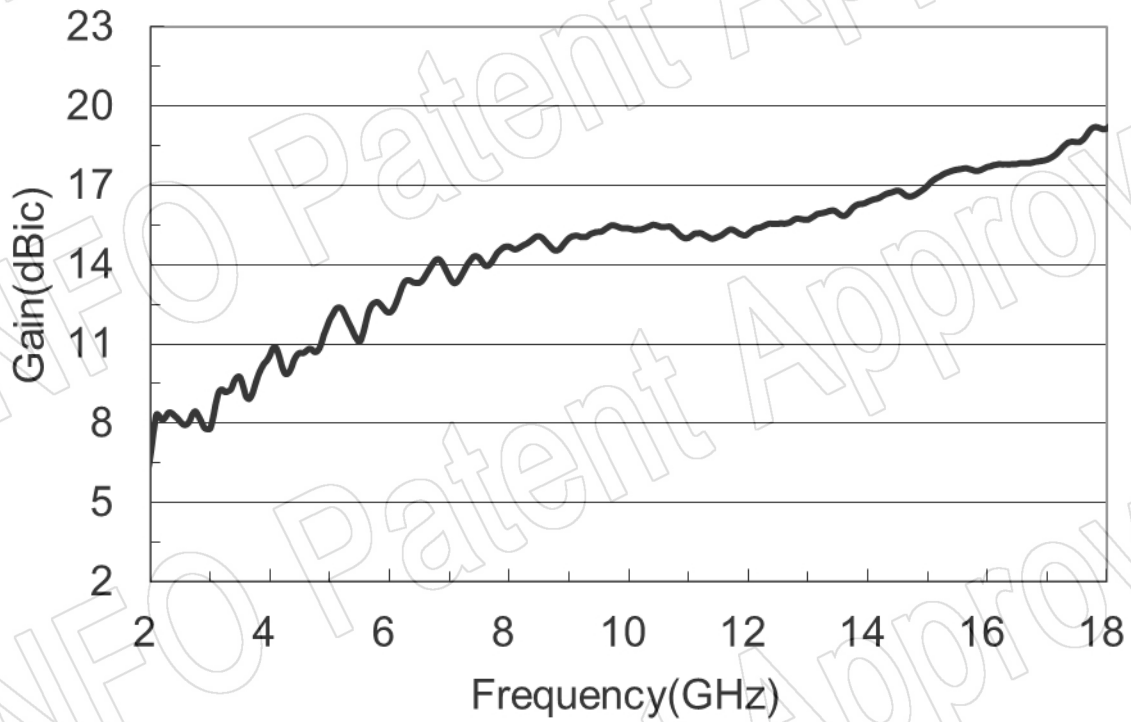
(+86) 10-6266-7327
(+86) 28-8519-3044
(+1) 949-639-9608

Page 1 of 9
Fax: (+86) 10-6266-7379
Fax: (+86) 28-8519-3068
Fax: (+1) 949-639-9670

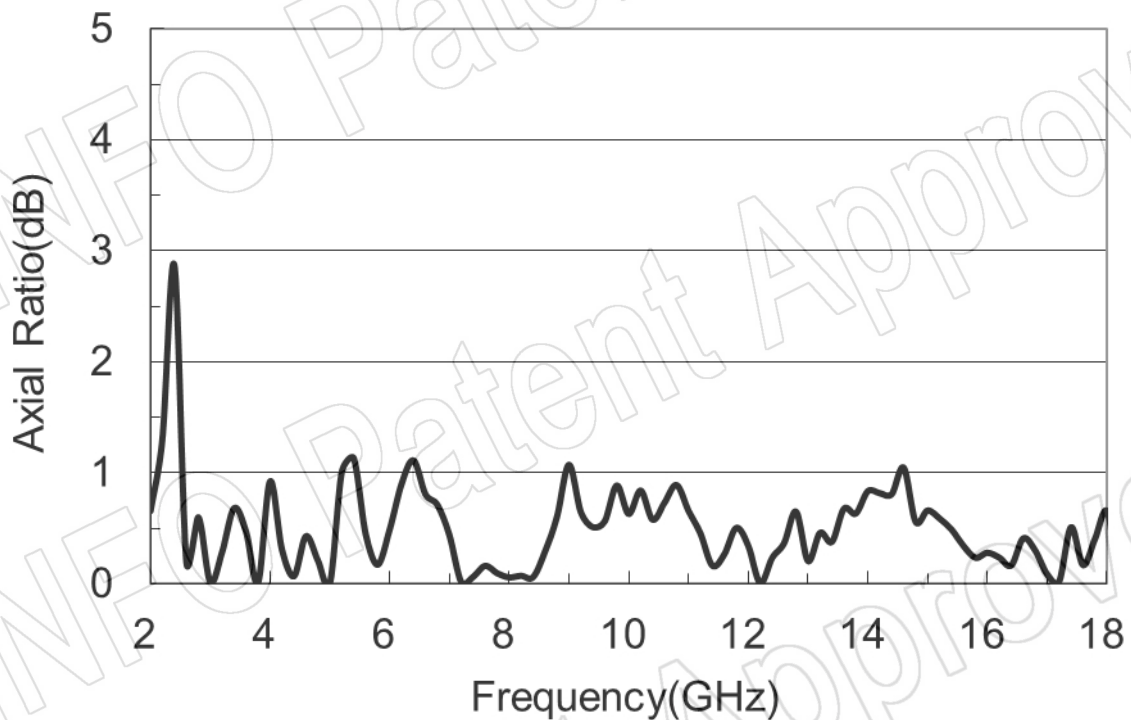
Website: www.ainfoinc.com
Email: sales@ainfoinc.com

Test Results

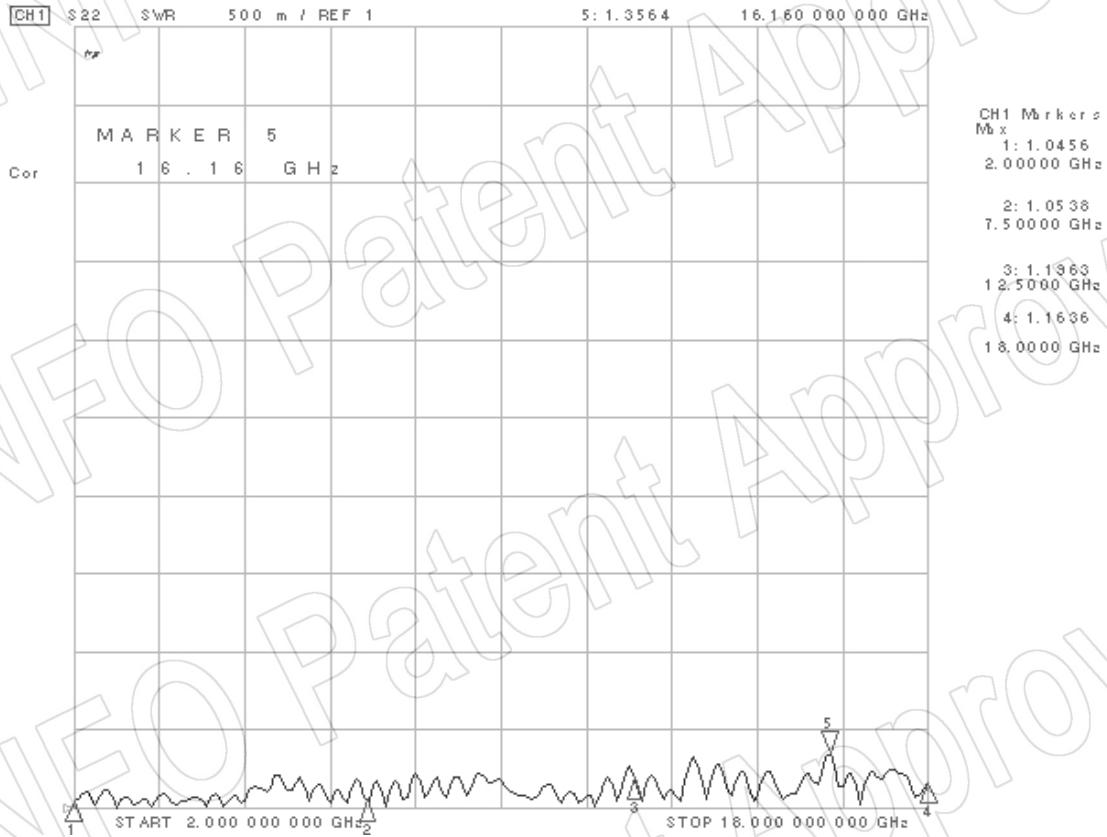
1. Gain



2. Axial Ratio



3. VSWR



4. Pattern

